

2 and 3 inch Swing Check Valves

FEATURES

- For Approvals, see the “COMPATIBILITY” table on page 2.
- *Low Equivalent Length*
- *For Use with Multiple Cylinder Manifolds and Main/Reserve Systems*

P/N: 06-118213-001 (2 in.) or 06-118058-001 (3 in.)

DESCRIPTION

The 2 and 3 inch Swing Check Valve are installed at each container in a multiple cylinder container system to permit removal of containers while maintaining a closed system. The check valve may also be installed in main and reserve system configurations. Inlet and outlet connections are 2 or 3 in. female NPT. The check valve can be mounted in an upright horizontal orientation or a vertical orientation with the outlet at the top.

OPERATION

In the case of multiple cylinder installations, the check valve prevents back flow from the manifold in the event that the system is discharged when one or more cylinders are disconnected, such as when weighing or during general servicing. In the case of the check valve being used in a main and reserve configuration, it prevents the actuation of the reserve system from manifold pressure.

INSTALLATION

The check valve can be installed between zero and ninety degrees from the horizontal. The check valve must be installed so that the arrow is pointing in the required direction of flow.

ORDERING INFORMATION

The part numbers for ordering swing check valves are:

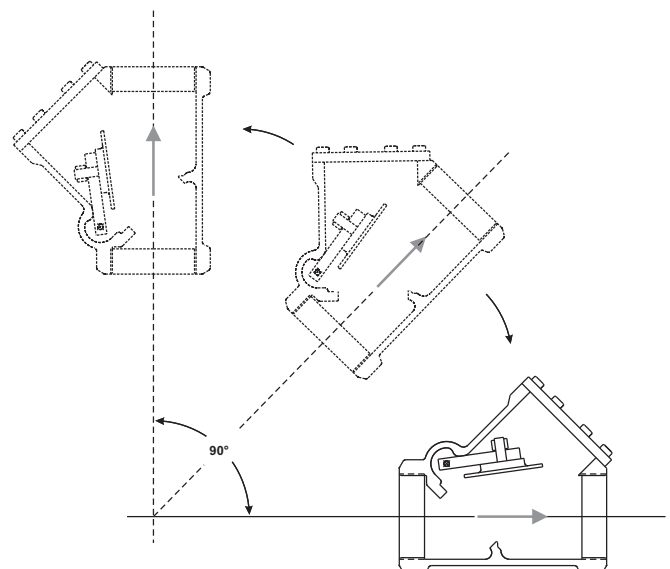
Part Number	Description
06-118213-001	2 in. Swing Check Valve
06-118058-001	3 in. Swing Check Valve

SPECIFICATIONS

Valve body and cover: Bronze
Service pressure: 600 PSI



Figure 1. Swing Check Valve (2 in. Pictured)



Notes:

1. Install the Check Valve so that the arrow is pointing in the direction of flow.
2. Install between 0 and 90 degrees from the horizontal.

COMPATIBILITY

Series	Approved for Use with		DIOM P/N	Approvals
	2 in. Swing Check	3 in. Swing Check		
Kidde Fire Systems ECS-500™ System		X	06-237585-001	UL, ULC, FM
Kidde Fire Systems ECS-500™ Marine System		X	06-237589-001	UL, ULC, USCG
Kidde Fire Systems ADS™ for use with Fluoroketone Fire Suppression Agents	X	X	06-237256-001	UL, ULC, FM
Kidde Fire Systems ADS™ Marine for use with Fluoroketone Fire Suppression Agents	X	X	06-237257-001	UL, ULC, USCG
Kidde Fire Systems ADS™ with HFC-227ea Agent	X	X	06-236068-001	UL, ULC, FM
Kidde Fire Systems ADS™ Marine with HFC-227ea Agent	X	X	06-236595-001	UL, ULC, USCG
Kidde Fire Systems ECS™ 360 for use with Fluoroketone Fire Suppression Agents	X	X	06-236553-001	UL, ULC, FM
Kidde Fire Systems ECS™ 360 Marine for use with Fluoroketone Fire Suppression Agents	X	X	06-236559-001	UL, ULC, USCG
Kidde Fire Systems ECS™ 360 with HFC-227ea Agent	X	X	06-236115-001	UL, ULC, FM
Kidde Fire Systems Modular ECS™ 360 with HFC-227ea Agent	X	X	06-236116-001	UL, ULC, FM
Kidde Fire Systems ECS™ 360 Marine with HFC-227ea Agent	X	X	06-236225-001	UL, USCG
Kidde Fire Systems High Pressure CO ₂ System	X	X	81-CO2MAN-001	UL, ULC, FM
Kidde Fire Systems High Pressure CO ₂ Marine System	X	X	220610	UL, USCG

EXPORT INFORMATION (USA)

Jurisdiction: EAR
Classification: EAR99

This document contains technical data subject to the EAR.

All trademarks are the property of their respective owners.

This literature is provided for informational purposes only. KIDDE-FENWAL, INC. believes this data to be accurate, but it is published and presented without any guarantee or warranty whatsoever. KIDDE-FENWAL, INC. assumes no responsibility for the product's suitability for a particular application. The fire suppression system design, installation, maintenance, service and troubleshooting must be performed by trained, authorized Kidde Fire Systems distributors for the product to work correctly. If you need more information on this product, or if you have a particular problem or question, contact: KIDDE-FENWAL, INC., Ashland, MA 01721 USA, Telephone: (508) 881-2000.